

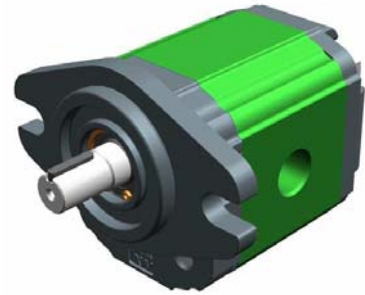
reversible pump - series XV

XV-1R

SAE AA TYPE PUMP
 ø50.8 FLANGE - PARALLEL SHAFT

X 1 R 25 61 B B B E

Series	X	series XV
Group	1	group 1
Category	R	reversible pump
Displacement	25	3.8
Flange	61	Ø50.8 SAE AA reversible rotation
Shaft	B	CI002 - Parallel ø12.7 - key thk. 3.2 (SAE AA)
Body	IN	inlet - 3/8" GAS
	OUT	outlet - 3/8" GAS
Cover	E	with drainage 1/4" BSP



XR168

Technical data table

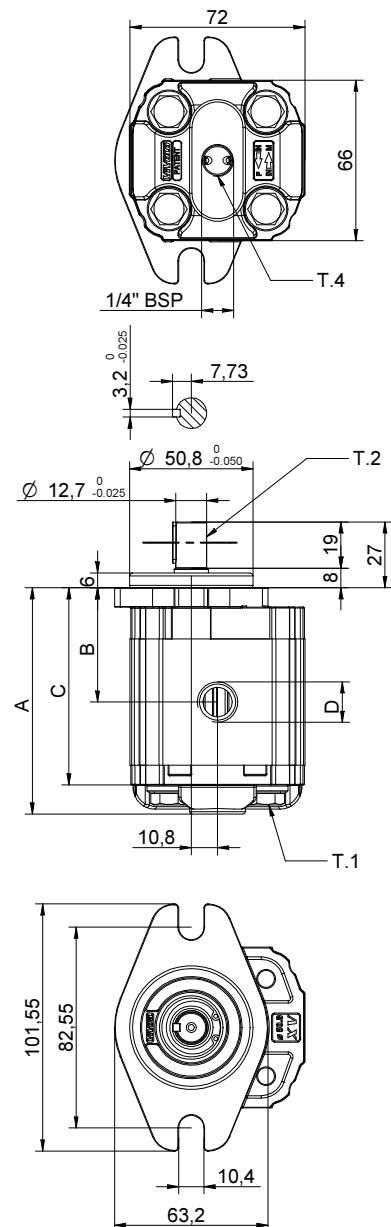
TYPE	Displacement cm3/rev	Max. Pressure		CODE	
		P1 bar	P3 bar	External drainage	Internal drainage
XV-1R/0.9	0,91	240	280	X 1 R 16 61 B B B E	X 1 R 16 61 B B B F
XV-1R/1.2	1,17	250	290	X 1 R 17 61 B B B E	X 1 R 17 61 B B B F
XV-1R/1.7	1,56	250	290	X 1 R 18 61 B B B E	X 1 R 18 61 B B B F
XV-1R/2.2	2,08	250	290	X 1 R 20 61 B B B E	X 1 R 20 61 B B B F
XV-1R/2.6	2,60	250	300	X 1 R 21 61 B B B E	X 1 R 21 61 B B B F
XV-1R/3.2	3,12	250	300	X 1 R 23 61 B B B E	X 1 R 23 61 B B B F
XV-1R/3.8	3,64	250	300	X 1 R 25 61 B B B E	X 1 R 25 61 B B B F
XV-1R/4.3	4,16	250	300	X 1 R 27 61 B B B E	X 1 R 27 61 B B B F
XV-1R/4.9	4,94	250	300	X 1 R 29 61 B B B E	X 1 R 29 61 B B B F
XV-1R/5.9	5,85	250	300	X 1 R 31 61 B B B E	X 1 R 31 61 B B B F
XV-1R/6.5	6,50	250	300	X 1 R 32 61 B B B E	X 1 R 32 61 B B B F
XV-1R/7.8	7,54	220	260	X 1 R 34 61 B B B E	X 1 R 34 61 B B B F
XV-1R/9.8	9,88	190	230	X 1 R 36 61 B B B E	X 1 R 36 61 B B B F

P1) Max. working pressure - P3) Max. peak pressure

For heavy-duty applications, it is recommended to check the admissible torque of the shaft

Dimensions table

TYPE	Weight kg	A	B	C	D	D
		mm	mm	mm	IN	OUT
XV-1R/0.9	1,000	82,6	41,8	70,6	3/8" BSPP	3/8" BSPP
XV-1R/1.2	1,020	83,5	42,3	71,5	3/8" BSPP	3/8" BSPP
XV-1R/1.7	1,060	85,0	43,0	73,0	3/8" BSPP	3/8" BSPP
XV-1R/2.2	1,080	87,0	44,0	75,0	3/8" BSPP	3/8" BSPP
XV-1R/2.6	1,110	89,0	45,0	77,0	3/8" BSPP	3/8" BSPP
XV-1R/3.2	1,140	91,0	46,0	79,0	3/8" BSPP	3/8" BSPP
XV-1R/3.8	1,170	93,0	47,0	81,0	3/8" BSPP	3/8" BSPP
XV-1R/4.3	1,220	95,0	48,0	83,0	3/8" BSPP	3/8" BSPP
XV-1R/4.9	1,250	98,0	49,5	86,0	3/8" BSPP	3/8" BSPP
XV-1R/5.9	1,310	101,5	51,3	89,5	3/8" BSPP	3/8" BSPP
XV-1R/6.5	1,350	105,0	52,5	93,0	3/8" BSPP	3/8" BSPP
XV-1R/7.8	1,410	108,0	54,5	96,0	3/8" BSPP	3/8" BSPP
XV-1R/9.8	1,550	117,0	59,0	105,0	3/8" BSPP	3/8" BSPP



T.1 = 24.5÷29.4 [Nm] - screw tightening torque M8


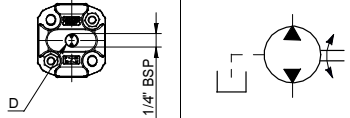
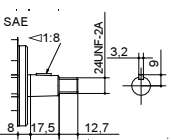
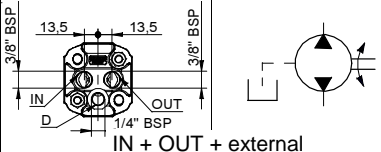
T.2 = 32.8 [Nm] - admissible shaft torque (N.B. When choosing a shaft, always check the admissible torque).

T.4 = 0.3÷0.5 bar - max. drainage pressure

Table of variations

XV-1R

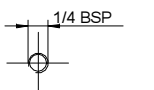
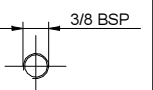
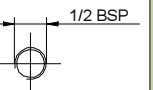
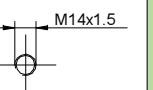
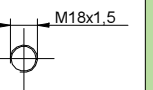
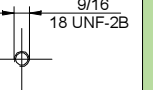
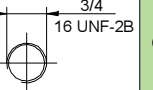
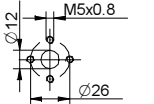
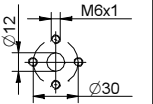
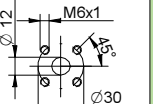
ø50.8 FLANGE "SAE AA"

ø50.8 FLANGE "SAE AA"		Shaft				Cover	
	61	CI001 - Parallel T.2 = 25.8 [Nm]	A	CI002 - Parallel T.2 = 32.8 [Nm]	B	 External drainage	E
		CF003 - Milled shank T.2 = 25.9 [Nm]	E	CO002 - Tapered T.2 = 119.8 [Nm]	G		
			I	SCF05 - Splined T.2 = 32.2 [Nm]	K	 IN + OUT + external	K
		CO002+HK - Tapered T.2 = 119.8 [Nm]	O	CI001+HK - Parallel T.2 = 25.8 [Nm]	P		

Displacement	
TYPE	CODE
XV-1R/0.9	16
XV-1R/1.2	17
XV-1R/1.7	18
XV-1R/2.2	20
XV-1R/2.6	21
XV-1R/3.2	23
XV-1R/3.8	25
XV-1R/4.3	27
XV-1R/4.9	29
XV-1R/5.9	31
XV-1R/6.5	32
XV-1R/7.8	34
XV-1R/9.8	36

Standard bodies				
Displacement cm3/rev	Standard threads			
	0.9	I - I	B - B	J - J
1.2	I - I	B - B	J - J	Z - Z
1.7	I - I	B - B	J - J	Z - Z
2.2	I - I	B - B	J - J	Z - Z
2.6	I - I	B - B	J - J	Z - Z
3.2	I - I	B - B	J - J	Z - Z
3.8	I - I	B - B	J - J	Z - Z
4.3	I - I	B - B	J - J	Z - Z
4.9	I - I	B - B	J - J	Z - Z
5.9	I - I	B - B	J - J	Z - Z
6.5	I - I	B - B	J - J	Z - Z
7.8	I - I	B - B	J - J	Z - Z
9.8	I - I	B - B	J - J	Z - Z

Table showing standard flange and thread combinations available in stock

Body (threads/flanges)													
	A		B		C		D		E		F		G
	H		I		J	Closed Body	Z						