

final pump - series XV

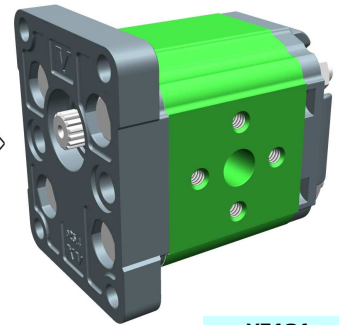
STANDARD FINAL PUMP
FEMALE Ø25,4 FLANGE

X1F-1

X 1 F 25 72 T I I A

Series	X	series XV
Group	1	group 1
Category	F	final pump
Displacement	25	3.8
Flange	72	Ø25.4 female right rotation 1P+1P
Shaft	T	SCF01 - Final
Body	IN	inlet - Ø30 Ø12 M6
	OUT	outlet - Ø30 Ø12 M6
Cover	A	standard

X1T
X1I-1
X1I-2



XF101

Technical data table

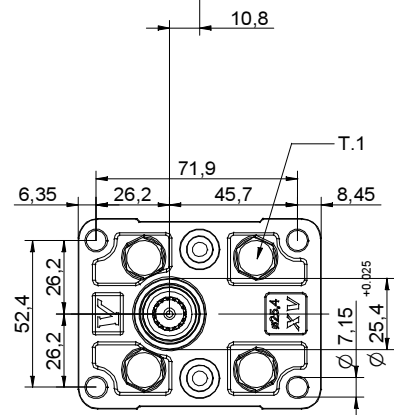
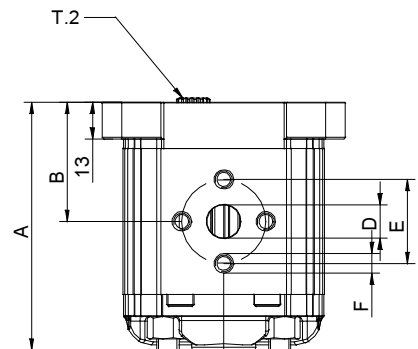
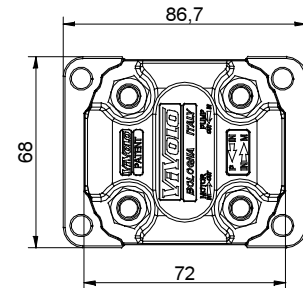
TYPE	Displacement cm3/rev	Max. Pressure		CODE																	
		P1 bar	P3 bar	Left rotation			Right rotation														
X1F-1/0.9	0,91	240	280	X	1	F	16	71	T	I	I	A	X	1	F	16	72	T	I	I	A
X1F-1/1.2	1,17	250	290	X	1	F	17	71	T	I	I	A	X	1	F	17	72	T	I	I	A
X1F-1/1.7	1,56	250	290	X	1	F	18	71	T	I	I	A	X	1	F	18	72	T	I	I	A
X1F-1/2.2	2,08	250	290	X	1	F	20	71	T	I	I	A	X	1	F	20	72	T	I	I	A
X1F-1/2.6	2,60	250	300	X	1	F	21	71	T	I	I	A	X	1	F	21	72	T	I	I	A
X1F-1/3.2	3,12	250	300	X	1	F	23	71	T	I	I	A	X	1	F	23	72	T	I	I	A
X1F-1/3.8	3,64	250	300	X	1	F	25	71	T	I	I	A	X	1	F	25	72	T	I	I	A
X1F-1/4.3	4,16	250	300	X	1	F	27	71	T	I	I	A	X	1	F	27	72	T	I	I	A
X1F-1/4.9	4,94	250	300	X	1	F	29	71	T	I	I	A	X	1	F	29	72	T	I	I	A
X1F-1/5.9	5,85	250	300	X	1	F	31	71	T	I	I	A	X	1	F	31	72	T	I	I	A
X1F-1/6.5	6,50	250	300	X	1	F	32	71	T	I	I	A	X	1	F	32	72	T	I	I	A
X1F-1/7.8	7,54	220	260	X	1	F	34	71	T	I	I	A	X	1	F	34	72	T	I	I	A
X1F-1/9.8	9,88	190	230	X	1	F	36	71	T	I	I	A	X	1	F	36	72	T	I	I	A

P1) Max. working pressure - P3) Max. peak pressure

For heavy-duty applications, it is recommended to check the admissible torque of the shaft

Dimensions table

TYPE	Weight kg	A	B	D	E	F	D	E	F
		mm	mm	IN			OUT		
X1F-1/0.9	0,950	78,0	37,3	Ø12	30	M6x1	Ø12	30	M6x1
X1F-1/1.2	0,970	79,0	37,8	Ø12	30	M6x1	Ø12	30	M6x1
X1F-1/1.7	1,010	80,5	38,5	Ø12	30	M6x1	Ø12	30	M6x1
X1F-1/2.2	1,030	82,5	39,5	Ø12	30	M6x1	Ø12	30	M6x1
X1F-1/2.6	1,060	84,5	40,5	Ø12	30	M6x1	Ø12	30	M6x1
X1F-1/3.2	1,090	86,5	41,5	Ø12	30	M6x1	Ø12	30	M6x1
X1F-1/3.8	1,120	88,5	42,5	Ø12	30	M6x1	Ø12	30	M6x1
X1F-1/4.3	1,170	90,5	43,5	Ø12	30	M6x1	Ø12	30	M6x1
X1F-1/4.9	1,200	93,5	45,0	Ø12	30	M6x1	Ø12	30	M6x1
X1F-1/5.9	1,260	97,0	46,8	Ø12	30	M6x1	Ø12	30	M6x1
X1F-1/6.5	1,300	99,5	48,0	Ø12	30	M6x1	Ø12	30	M6x1
X1F-1/7.8	1,360	103,5	50,0	Ø12	30	M6x1	Ø12	30	M6x1
X1F-1/9.8	1,500	112,5	54,5	Ø12	30	M6x1	Ø12	30	M6x1



0104/08 XF25Z7IIA.dft

T.1 = 24.5÷29.4 [Nm] - screw tightening torque M8

T.2 = 42.8 [Nm] - admissible shaft torque (N.B. When choosing a shaft, always check the admissible torque).

Table of variations

X1F-1

Standard female $\phi 25,4$ FLANGE

Standard female $\phi 25,4$ FLANGE		Shaft		Cover	
Left rotation	Right rotation			Left rotation	Right rotation
		SCF01 - Splined $T.2 = 42.8$ [Nm] $m=0,75$ $Z=15$ 			
	71		72		

Displacement	
TYPE	CODE
X1F-1/0.9	16
X1F-1/1.2	17
X1F-1/1.7	18
X1F-1/2.2	20
X1F-1/2.6	21
X1F-1/3.2	23
X1F-1/3.8	25
X1F-1/4.3	27
X1F-1/4.9	29
X1F-1/5.9	31
X1F-1/6.5	32
X1F-1/7.8	34
X1F-1/9.8	36

Standard bodies							
Displacement cm3/rev	Standard threads						
	0.9	I - I	B - B	J - J	B - Z	Z - Z	G - F
1.2	I - I	B - B	J - J	B - Z	Z - Z	G - F	
1.7	I - I	B - B	J - J	B - Z	Z - Z	G - F	
2.2	I - I	B - B	J - J	B - Z	Z - Z	G - F	
2.6	I - I	B - B	J - J	B - Z	Z - Z	G - F	
3.2	I - I	B - B	J - J	B - Z	Z - Z	G - F	
3.8	I - I	B - B	J - J	B - Z	Z - Z	G - F	
4.3	I - I	B - B	J - J	B - Z	Z - Z	G - F	
4.9	I - I	B - B	J - J	B - Z	Z - Z	G - F	
5.9	I - I	B - B	J - J	B - Z	Z - Z	G - F	
6.5	I - I	B - B	J - J	B - Z	Z - Z	G - F	
7.8	I - I	B - B	J - J	B - Z	Z - Z	G - F	
9.8	I - I	B - B	J - J	B - Z	Z - Z	G - F	

Table showing standard flange and thread combinations available in stock

		A
		B
		C
		D
		E
		F
		G
		H
		I
		J
		K
		L
		M

Body (threads/flanges)													
	A		B		C		D		E		F		G
	H		I		J	Closed Body		Z					